


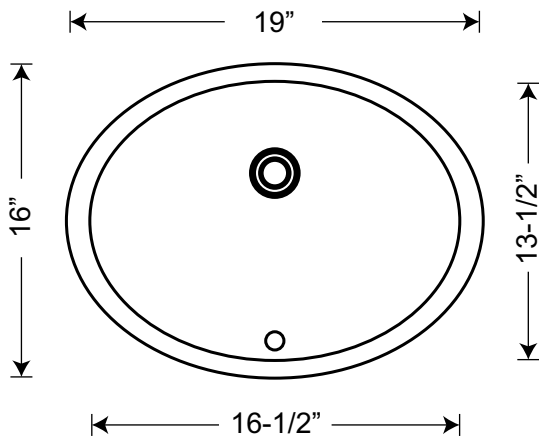
SPECIFICATIONS



- Undermount lavatory sink
- Premium porcelain
- No faucet holes
- Fits 24" cabinet
- 1 1/2" drain opening
- Template included



| PART# | MODEL | COLOR |
|--|-------------|-------|
|  2649-0413 | H-1613W-ADA | White |



SINK FEATURES



All HIVE sinks receive expert hands-on care under strict quality control throughout every stage of our modern manufacturing process. This ensures a "NO HASSLE" Limited Lifetime Warranty against all manufacturing defects in material and workmanship under normal use.

CODE / STANDARDS COMPLIANCE

Most HIVE sinks meet or exceed the following specifications:
ASME 112.19.3-2008 - IAPMO/UPC listed - CSA B45.4-2008



JOB INFORMATION

JOB NAME: _____ MODEL SPECIFIED: _____ QUANTITY: _____
 DATE: _____ ARCHITECT/ENGINEER: _____
 CUSTOMER: _____ CONTRACTOR: _____