

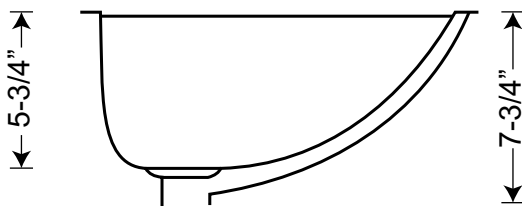
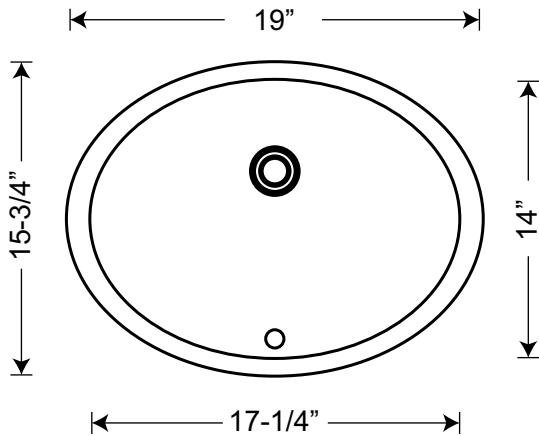
SPECIFICATIONS



- Undermount lavatory sink
- Premium porcelain
- No faucet holes
- Fits 24" cabinet
- 1 1/2" drain opening
- Template included



PART#	MODEL	COLOR
2642-0416	H-1714BK	Black
2644-0418	H-1714W	White
2641-0415	H-1714B	Biscuit
2643-0417	H-1714T	Tan



SINK FEATURES



All HIVE sinks receive expert hands-on care under strict quality control throughout every stage of our modern manufacturing process. This ensures a "NO HASSLE" Limited Lifetime Warranty against all manufacturing defects in material and workmanship under normal use.

CODE / STANDARDS COMPLIANCE

Most HIVE sinks meet or exceed the following specifications:
ASME 112.19.3-2008 - IAPMO/UPC listed - CSA B45.4-2008



JOB INFORMATION

JOB NAME: _____ MODEL SPECIFIED: _____ QUANTITY: _____
 DATE: _____ ARCHITECT/ENGINEER: _____
 CUSTOMER: _____ CONTRACTOR: _____