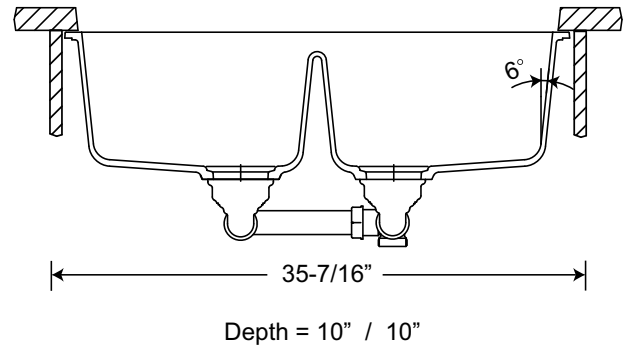
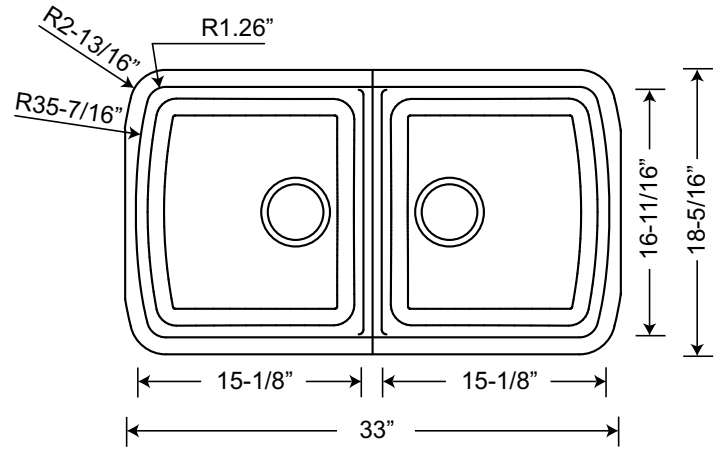


<b>SIS-GR202D-01</b> 1630-6680 Black Sand	<b>SIS-GR202D-02</b> 1631-6681 Wheat	<b>SIS-GR202D-03</b> 1632-6682 Iceberg	<b>SIS-GR202D-04</b> 1633-6683 Grey Moon	<b>SIS-GR202D-05</b> 1634-6684 Chocolate	<b>SIS-GR202D-06</b> 1697-9712 Silver Fox	<b>SIS-GR202D-07</b> 1698-9713 Storm Cloud	<b>SIS-GR202D-08</b> 1699-9714 Eclipse

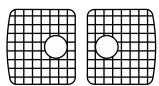
## Double Bowl Granite Sink



### SIS-GR202D - DURAGRANIT SERIES

- 80% quartz and 20% acrylic resins
- Undermount installation
- Scratch and stain resistant
- Heat and acid resistant
- Non-fading
- Easy to clean, extremely hygienic
- Suitable for food preparation
- Fits 36" cabinet
- 3 1/2" drain opening

### AVAILABLE ACCESSORIES



SIS-G-GR202D  
Stainless Steel Grid

QTY



SIS-S01-  
Basket Strainer

QTY



SIS-S06-  
Disposal Flange

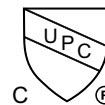
QTY



SIS-GCB1709  
Glass Cutting Board

QTY

### CODE / STANDARDS COMPLIANCE



Sinks are listed by IAPMO® as meeting the applicable requirements of the Uniform Plumbing Code®, International Plumbing Code®, and National Plumbing Code of Canada. Product Compliance: CSA B45.5-11/IAPMO Z124-201 including Update No. 1 dated May 2012

### JOB INFORMATION

JOB NAME: \_\_\_\_\_ MODEL SPECIFIED: \_\_\_\_\_ QUANTITY: \_\_\_\_\_

DATE: \_\_\_\_\_ ARCHITECT/ENGINEER: \_\_\_\_\_

CUSTOMER: \_\_\_\_\_ CONTRACTOR: \_\_\_\_\_