

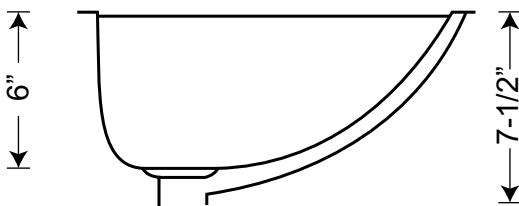
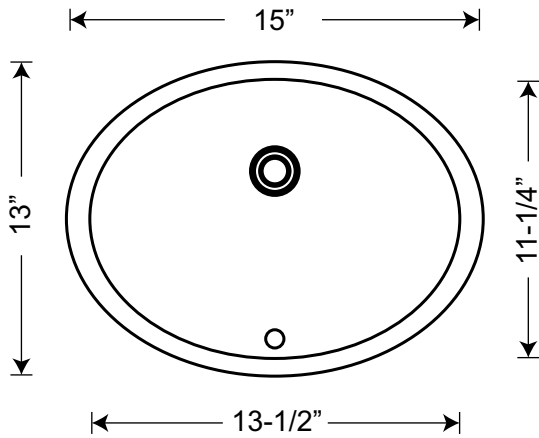


**SPECIFICATIONS**

- Undermount lavatory sink
- Premium porcelain
- No faucet holes
- Fits 24" cabinet
- 1 1/2" drain opening
- Template included



PART#	MODEL	COLOR
2649-0615	H-1311BK	Black
2641-0718	H-1311W	White
2648-0614	H-1311B	Biscuit
2640-0717	H-1311T	Tan



**SINK FEATURES**



All HIVE sinks receive expert hands-on care under strict quality control throughout every stage of our modern manufacturing process. This ensures a "NO HASSLE" Limited Lifetime Warranty against all manufacturing defects in material and workmanship under normal use.

**CODE / STANDARDS COMPLIANCE**

Most HIVE sinks meet or exceed the following specifications:  
 ASME 112.19.3-2008 - IAPMO/UPC listed - CSA B45.4-2008



**JOB INFORMATION**

JOB NAME: \_\_\_\_\_ MODEL SPECIFIED: \_\_\_\_\_ QUANTITY: \_\_\_\_\_  
 DATE: \_\_\_\_\_ ARCHITECT/ENGINEER: \_\_\_\_\_  
 CUSTOMER: \_\_\_\_\_ CONTRACTOR: \_\_\_\_\_