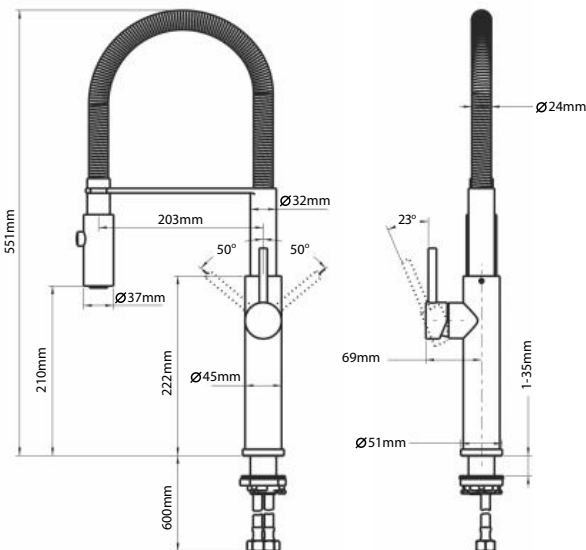



FEATURES

- Neoperl® aerator-world leading aerator brand with excellent quality and water stream shaping performance.
- Kerox® certified ceramic cartridge with over 500,000 times lifetime ensures durable performance for life and leak free.
- Lead free brass waterway that meets the US lead content standard for safety drinking water.
- 360 degree swivel spout offers superior clearance in all directions for cleaning and easy handling.
- Easily switch the sprayer system from stream to spray with a simple touch on the bottom of the dual sprayer.
- Single-lever handle is simple to use and makes adjusting water temperature easy.
- Comes with 2 pcs of SS 304 braided water inlet hose. Hose quick connector allows easy and quick installation.
- Single hole installation
- 1.8 gpm @ 60psi


1663-9510 / H-KF005-BN
 BRUSHED NICKEL FINISH

MATERIAL/SPECIFICATIONS

- Lead free brass waterway
- Kerox® ceramic cartridge
- Neoperl® aerator


STANDARDS

- ASME A112.18.1-2012/CSA B125.1-12
- NSF/ANSI 61 - 2016
- NSF/ANSI 372 - 2016
- ADA Compliance


JOB INFORMATION
JOB NAME: _____

DATE: _____

CUSTOMER: _____

MODEL SPECIFIED: _____ **QUANTITY:** _____

ARCHITECT/ENGINEER: _____

CONTRACTOR: _____

ACCESSORIES

1666-9614
H-KFDP01-BN
 BRUSHED NICKEL
 DECK PLATE

1667-9615
H-KFDP01-CH
 CHROME
 DECK PLATE