


SPECIFICATIONS

- Drop-in / Overmount
- 18/8 chrome nickel content
- Pro-Vest undercoat protection over Sound Shield pads
- Template and mounting hardware included
- Satin finish - Fits 36" cabinet
- 3 1/2" drain opening

18 Gauge™
304 Premium Stainless Steel

SINK FEATURES

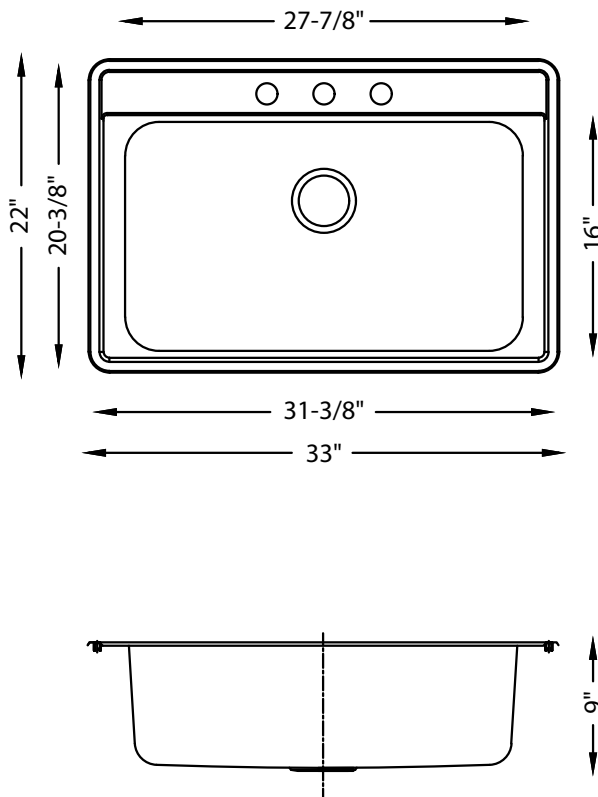

HIVE sinks feature Sound-Shield pads on several strategic areas of every sink for extra sound proofing. Made of natural rubber, the Sound-Shield pads reduce the noise of clattering dishes and running water.



Pro Vest is a protective coating over the Sound-Shield pads. This system reduces noise, prevents condensation and helps maintaining water temperature when pre-soaking dishes.



All HIVE sinks receive expert hands-on care under strict quality control throughout every stage of our modern manufacturing process. This ensures a "NO HASSLE" Limited Lifetime Warranty against all manufacturing defects in material and workmanship under normal use.


CODE / STANDARDS COMPLIANCE

Most HIVE sinks meet or exceed the following specifications:
ASME 112.19.3-2008 - IAPMO/UPC listed - CSA B45.4-2008



| JOB INFORMATION | | |
|-----------------|---------------------------|-----------------|
| JOB NAME: _____ | MODEL SPECIFIED: _____ | QUANTITY: _____ |
| DATE: _____ | ARCHITECT/ENGINEER: _____ | |
| CUSTOMER: _____ | CONTRACTOR: _____ | |