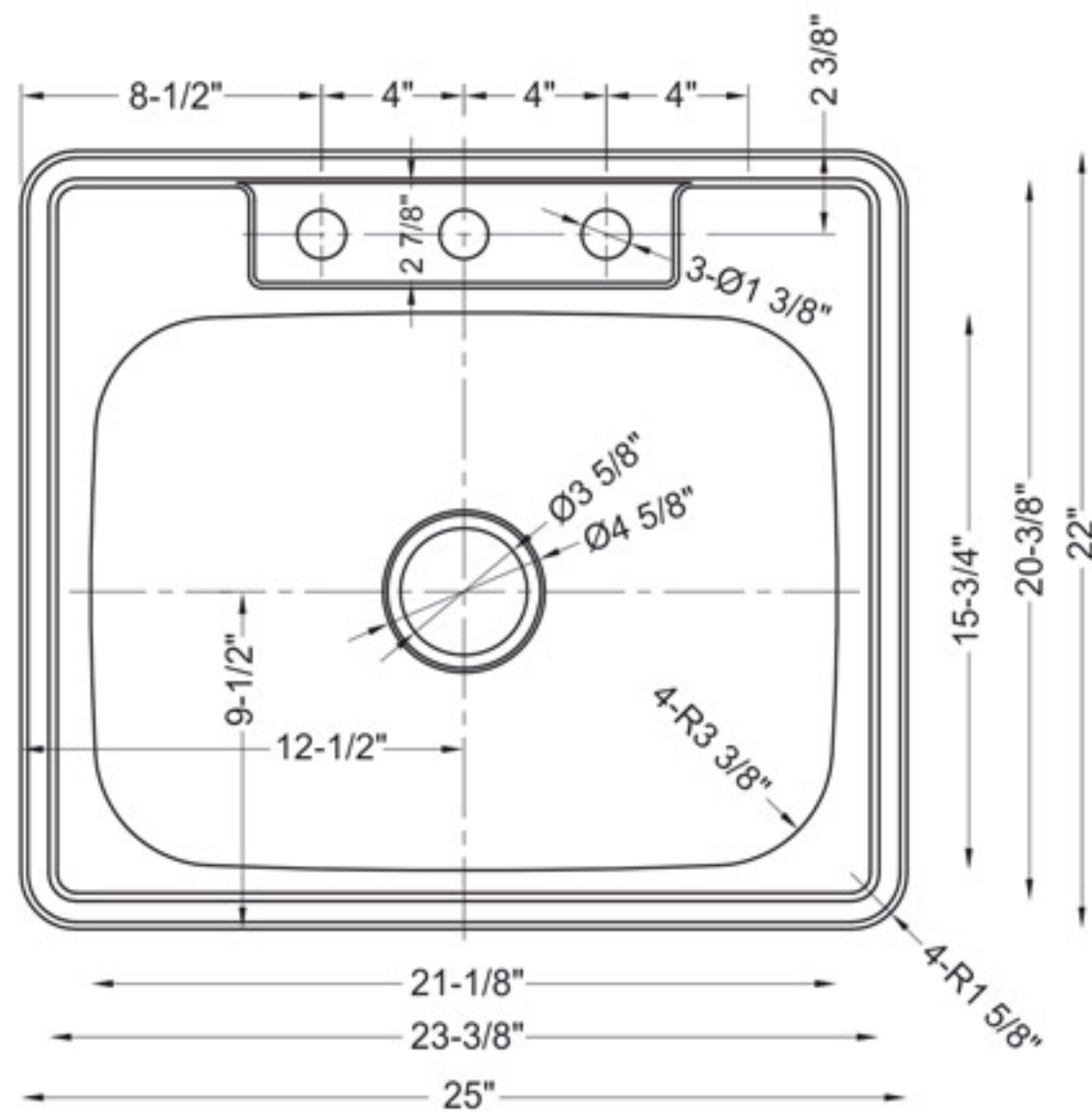


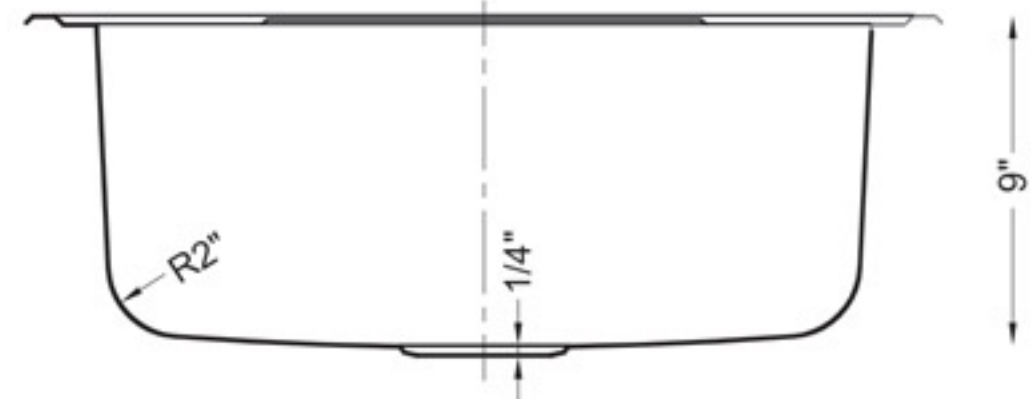


This model is made from durable 18 gauge 304 premium stainless steel, highly resistant to heat, most household stains and rust for the life of the product.



SIS-102-DI ALBALI - UNIVERSE SERIES

- Drop-in / overmount installation
- 18/8 chrome nickel content
- Pro-Vest™ undercoat protection over Sound Shield™ pads
- Template and mounting hardware included
- Satin finish - Fits 26" cabinet
- 3 1/2" drain opening



SINK FEATURES



Stone sinks feature Sound-Shield pads on several strategic areas of every sink for extra sound proofing. Made of natural rubber, the Sound-Shield pads reduce the noise of clattering dishes and running water.

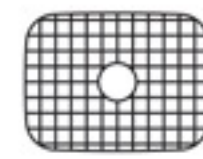


Pro Vest is a protective coating over the Sound-Shield pads. This system reduces noise, prevents condensation and helps maintaining water temperature when pre-soaking dishes.

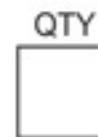


All Stone sinks receive expert hands-on care under strict quality control throughout every stage of our modern manufacturing process. This ensures a "NO HASSLE" Limited Lifetime Warranty against all manufacturing defects in material and workmanship under normal use. Please read our Limited Lifetime Warranty policy at our web site: www.stoneusa.com.

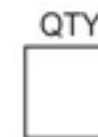
AVAILABLE ACCESSORIES



SIS-G-102-DI
Stainless Steel
Grid Set



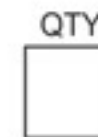
SIS-S01-04
Basket Strainer
Brushed Nickel



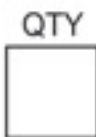
SIS-S06-04
Disposal Flange
Brushed Nickel



SIS-S01
Deluxe Strainer &
Basket
Brushed Nickel



SIS-GCB1709
Glass Cutting
Board



JOB INFORMATION

JOB NAME: _____ MODEL SPECIFIED: _____ QUANTITY: _____
 DATE: _____ ARCHITECT/ENGINEER: _____
 CUSTOMER: _____ CONTRACTOR: _____